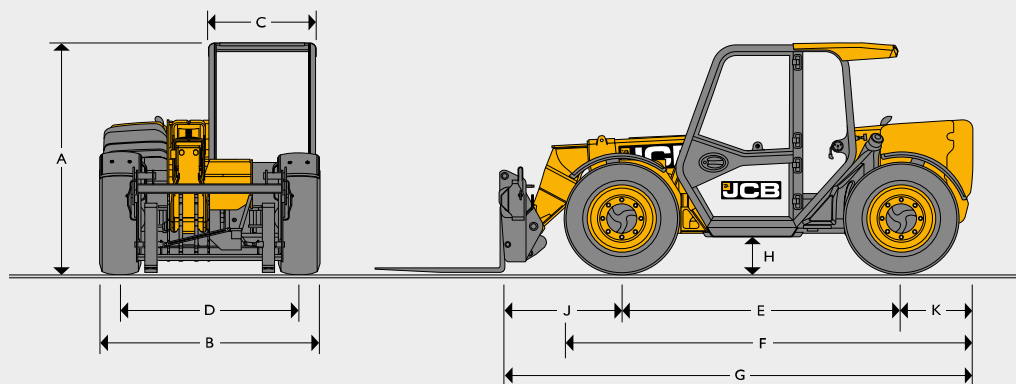
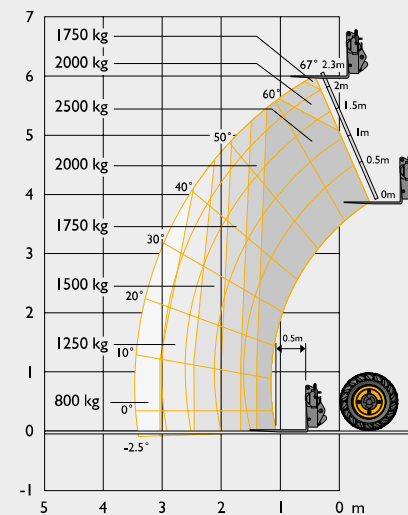


STATIC DIMENSIONS



			525-60 Agri	525-60 Agri Plus
A	Overall height	m	1.97	1.97
B	Overall width (over tyres)	m	1.84	1.84
C	Inside width of cab	m	0.88	0.88
D	Front track	m	1.52	1.52
E	Wheelbase	m	2.39	2.39
F	Overall length to front tyres	m	3.48	3.48
G	Overall length to front carriage	m	4	4
H	Ground clearance	m	0.33	0.33
J	Front wheel centre to carriage	m	1.02	1.02
K	Rear wheel centre to rear face	m	0.6	0.6
	Outside turn radius (over tyres) 4WS	m	3.4	3.4
	Carriage roll back angle	degrees	11	11
	Carriage dump angle	degrees	114	114
	Weight	kg	5300	5580
	Tyres	industrial traction	12.5/80x18	12.5/80x18

LIFT PERFORMANCE



		525-60 Agri/525-60 Agri Plus
Maximum lift capacity	kg	2500
Lift capacity to full height	kg	1750
Lift capacity at full reach	kg	800
Lift height	m	6
Reach at maximum lift height	m	-0.25
Maximum forward reach (to front of carriage)	m	3.3
Reach with 1.2 tonne load	m	2.58

Complies with stability test EN 1459 Annex B.

ENGINE

Latest Tier 4 Final technology and advanced design provides low fuel consumption, reduced noise, high torque and power output, total reliability and minimal maintenance. Two-stage, dry type air filter with primary and safety elements. Territory dependent.

		525-60 Agri/525-60 Agri Plus
Manufacturer		JCB DIESEL BY KOHLER
Displacement	ltr	2.5
No. of cylinders		4
Bore size	mm	88
Stroke	mm	102
Aspiration		Turbocharged cooled
Power rating		
Power @ 2200rpm	kW (hp)	55 (74)
Torque rating		
Torque @ 1500rpm	Nm	300